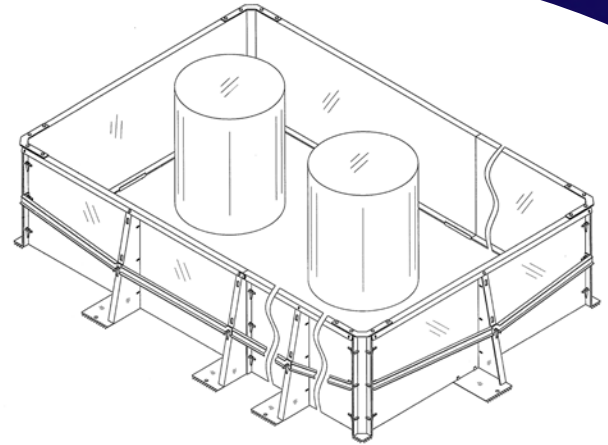


Technical Specs

Material

- Wall panels and top rail caps - 14 gauge, G90 galvanized steel
- Other primary components - 12 gauge, G90 galvanized steel
- Wedge pins - 1/4" steel, zinc plated



Dimensions

- Panel length - 92"
- Panel height - 36"
- Corner joints add 4" to total wall length

Compatible liners

- Geomembrane liners
- Spray applied
- Seam seal methods

United States

Innovative Fabricators
1900 14th Ave SW
Watertown, SD 57201

Phone / 1.605.886.7717
Fax / 1.605.886.7304
Email / inscosales@innovativefab.com

Canada

The Quest Group of Companies
411, 919 Centre Street NW
Calgary, Alberta CANADA
T2E 2P6

Phone / 1.403.460.4781
Fax / 1.403.719.4289
Email / sales@thequestgroup.co
serentals@thequestgroup.co

Panel & Wall Section Lengths

# of Panels	Total Inches	Feet & Inches	With Corner Joints
1	92	7' 8"	96"
2	184	15' 4"	15'8"
3	276	23'	23'4"
4	368	30' 8"	31"
5	460	38' 4"	38'8"
6	552	46'	46'4"
7	644	53' 8"	54'
8	736	61' 4"	61'8"
9	828	69'	69'4"
10	920	76' 8"	77'
11	1012	84' 4"	84' 8"
12	1104	92'	92' 4"
13	1196	99' 8"	100'
14	1288	107' 4"	107' 8"
15	1380	115'	115' 4"
16	1472	122' 8"	123'
17	1564	130' 4"	130' 8"
18	1656	138'	138' 4"
19	1748	145' 8"	146'
20	1840	153' 4"	153' 8"